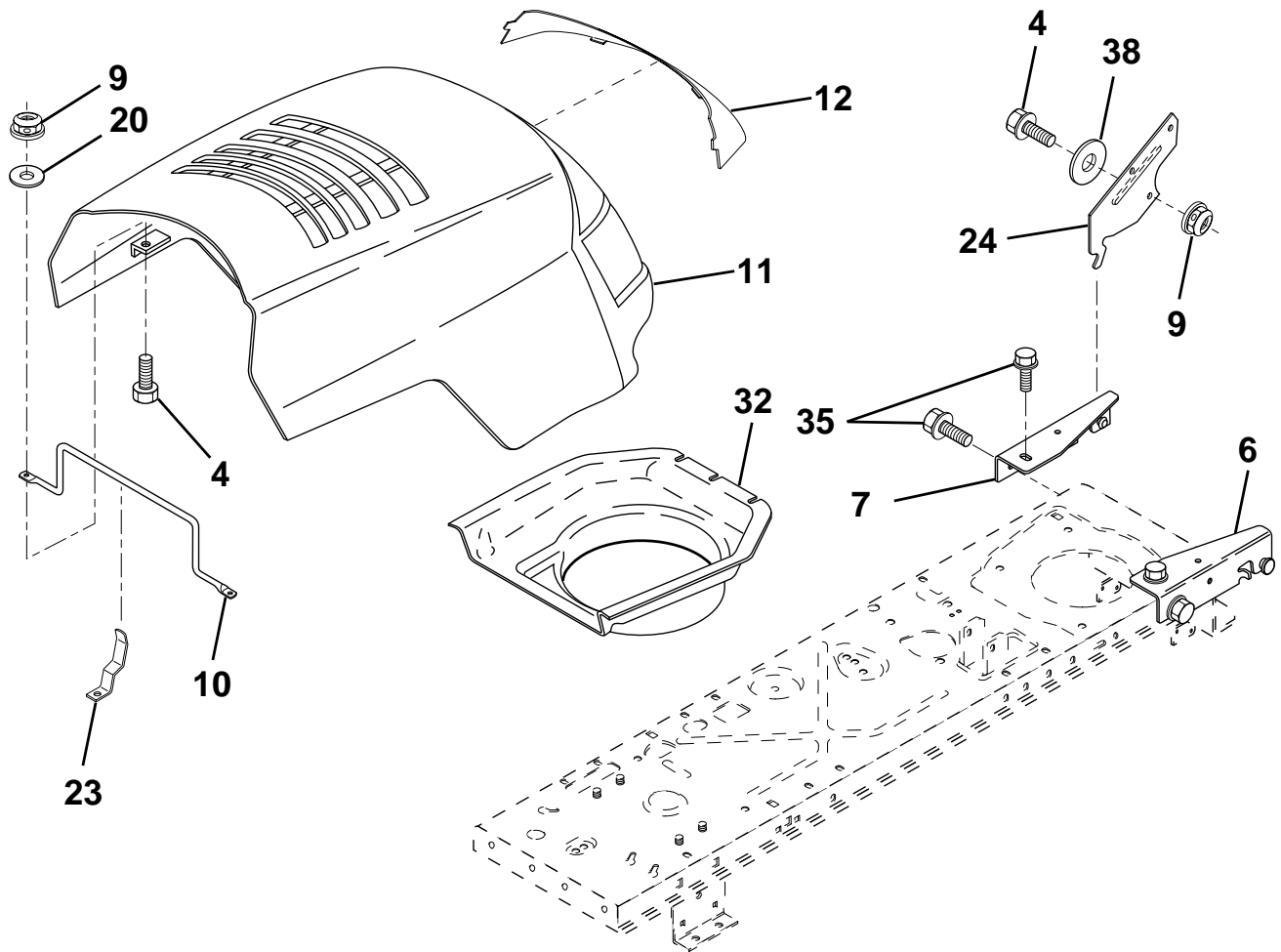


# LR13B

Spare parts  
Ersatzteile  
Pièces détachées  
Reserve onderdelen  
Repuestos  
Reservdelar

# REPAIR PARTS

TRACTOR - MODEL NO. LR13B (J813C36D), PRODUCT NO. 954 13 00-23  
HOOD

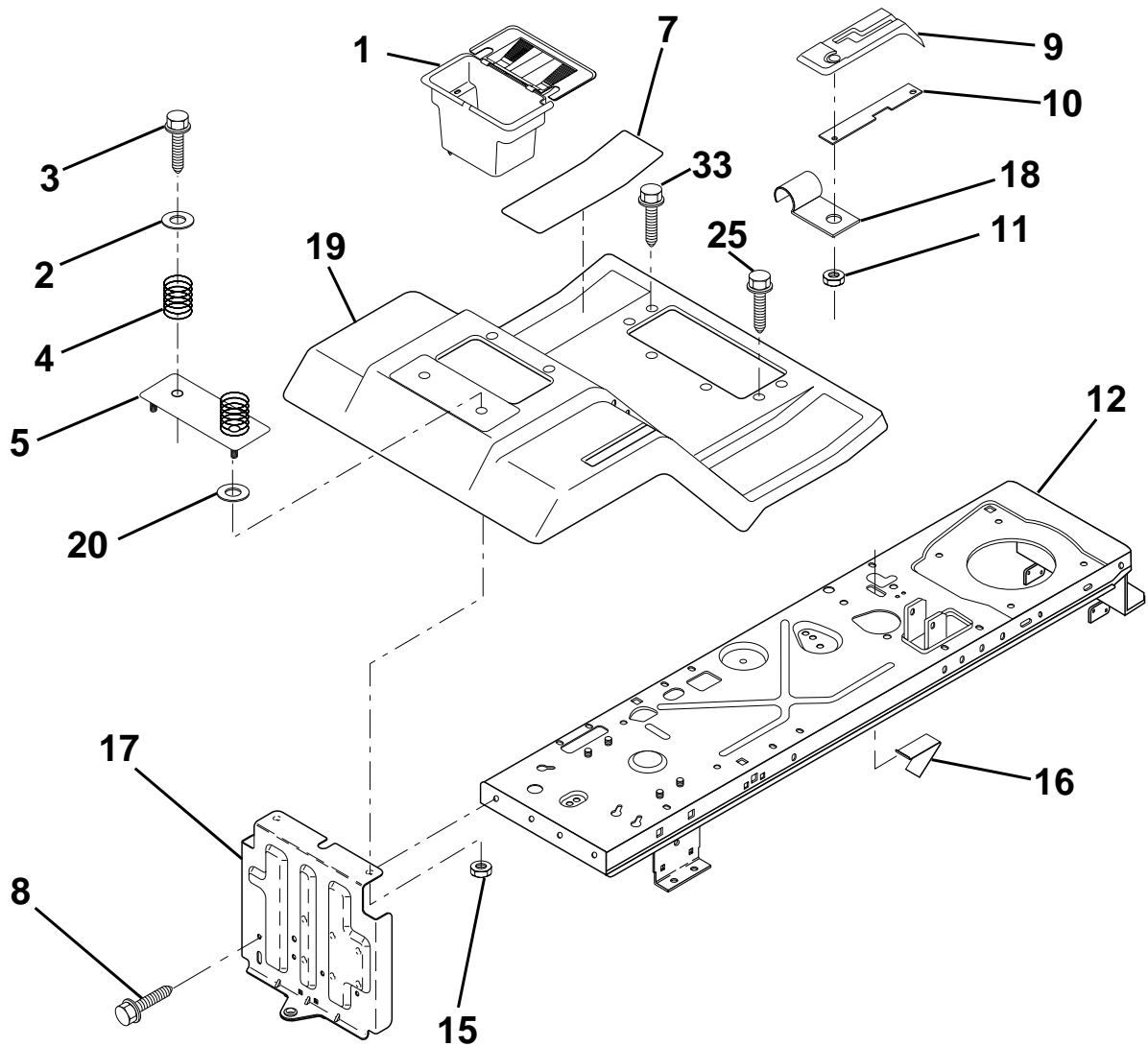


KEY NO.	PART NO.	DESCRIPTION	KEY NO.	PART NO.	DESCRIPTION
4	874760412	Bolt Fin Hex 1/4-20 x 3/4	20	819091016	Washer, Flat 1/4
6	532140051	Bracket Asm. Pivot Hood RH	23	532139969	Latch Hood
7	532140050	Bracket Asm. Pivot Hood LH	24	532139158	Bracket Pivot Hood
9	873800400	Locknut W/Insert 1/4-20	32	532139624	Duct Air Hood
10	532141321	Rod Support	35	817490512	Screw Thdrol 5/16-28 x 3/4
11	532141509	Hood	38	819092016	Washer
12	532166677	Lens Bar			

HARDWARE SHOWN LARGER FOR EASIER IDENTIFICATION

# REPAIR PARTS

TRACTOR - MODEL NO. LR13B (J813C36D), PRODUCT NO. 954 13 00-23  
FENDER / CHASSIS

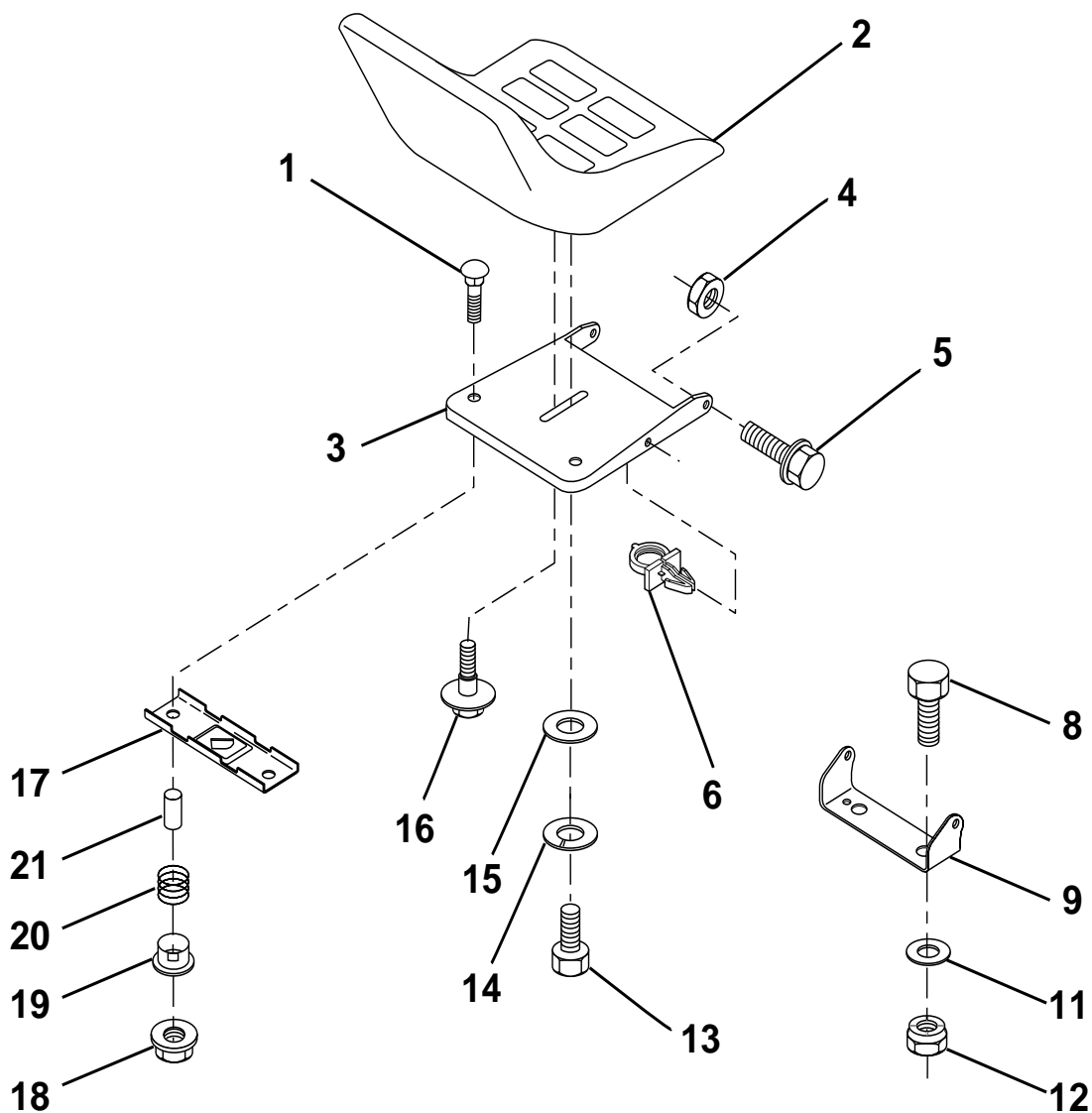


KEY NO.	PART NO.	DESCRIPTION	KEY NO.	PART NO.	DESCRIPTION
1	532156417	Case, Battery	11	532124346	Nut, Self-Threading, Wsher Hd 3/16
2	819132012	Washer 13/32 x 1-1/4 x 12 Ga.	12	532145190	Assembly, Frame
3	817490612	Screw, Hex Wsh. Thrdrol 3/8-16 x 3/4	15	873640400	Nut, Keps 1/4-20 UNC
4	532124181	Spring, Compression, Seat	16	532141736	Switch Actuator
5	532125431	Plate, Asm. Battery	17	532140782	Drawbar
7	532124144	Pad, Footrest	18	532126470	Clip, Insulated
8	<b>817060512</b>	Screw 5/16-18 x 3/4	19	532141650	Fender/Footrest
9	532166675	Console, Shift Control	20	819091413	Washer 9/32 x 7/8 x 13 Ga.
10	532139783	Bar, Shift Lock	25	817190516	Scr-Hx Wsh Thd Rol 5/16-18 x 1

HARDWARE SHOWN LARGER FOR EASIER IDENTIFICATION

# REPAIR PARTS

TRACTOR - MODEL NO. LR13B (J813C36D), PRODUCT NO. 954 13 00-23  
SEAT



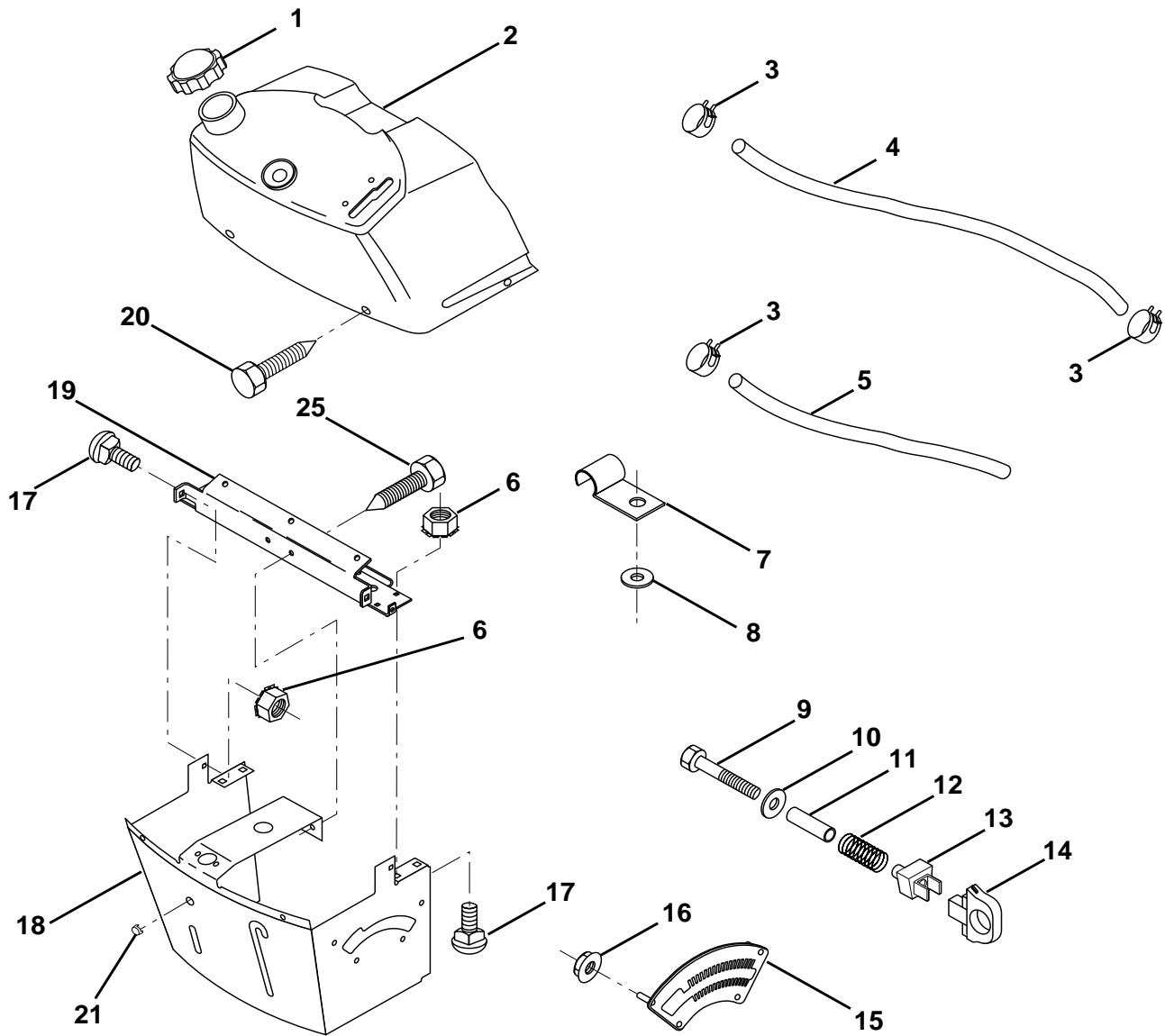
KEY NO.	PART NO.	DESCRIPTION
1	872050412	Bolt, Carriage 1/4-20 x 1-1/2
2	532140116	Seat
3	532155925	Pan, Seat
4	873800500	Nut, Lock Hex w/Ins. 5/16-18
5	532153236	Bolt, Shoulder 5/16-18 UNC
6	<b>532171852</b>	Clip, Push-in
8	874760616	Bolt, Fin Hex 3/8-16 UNC x 1
9	532140551	Bracket, Pivot Seat
11	819133210	Washer 12/32 x 2 x 10 Ga.
12	873800600	Nut, Lock Hex w/Wsh 3/8-16 UNC

KEY NO.	PART NO.	DESCRIPTION
13	<b>871110814</b>	Bolt Hex Black
14	810040800	Washer Lock Hvy. Hlicl Spring 1/2
15	819171912	Washer, 17/32 x 1-3/16 x 12 Ga.
16	532127018	Bolt, Shoulder
17	532121246	Bracket, Switch, Mounting
18	532123976	Nut, Hex Large Flange Lock
19	532121248	Bushing, Snap
20	532121250	Spring, Compression
21	532134300	Spacer, Split 28 Id. x .88 Lg.

HARDWARE SHOWN LARGER FOR EASIER IDENTIFICATION

# REPAIR PARTS

TRACTOR - MODEL NO. LR13B (J813C36D), PRODUCT NO. 954 13 00-23  
DASH

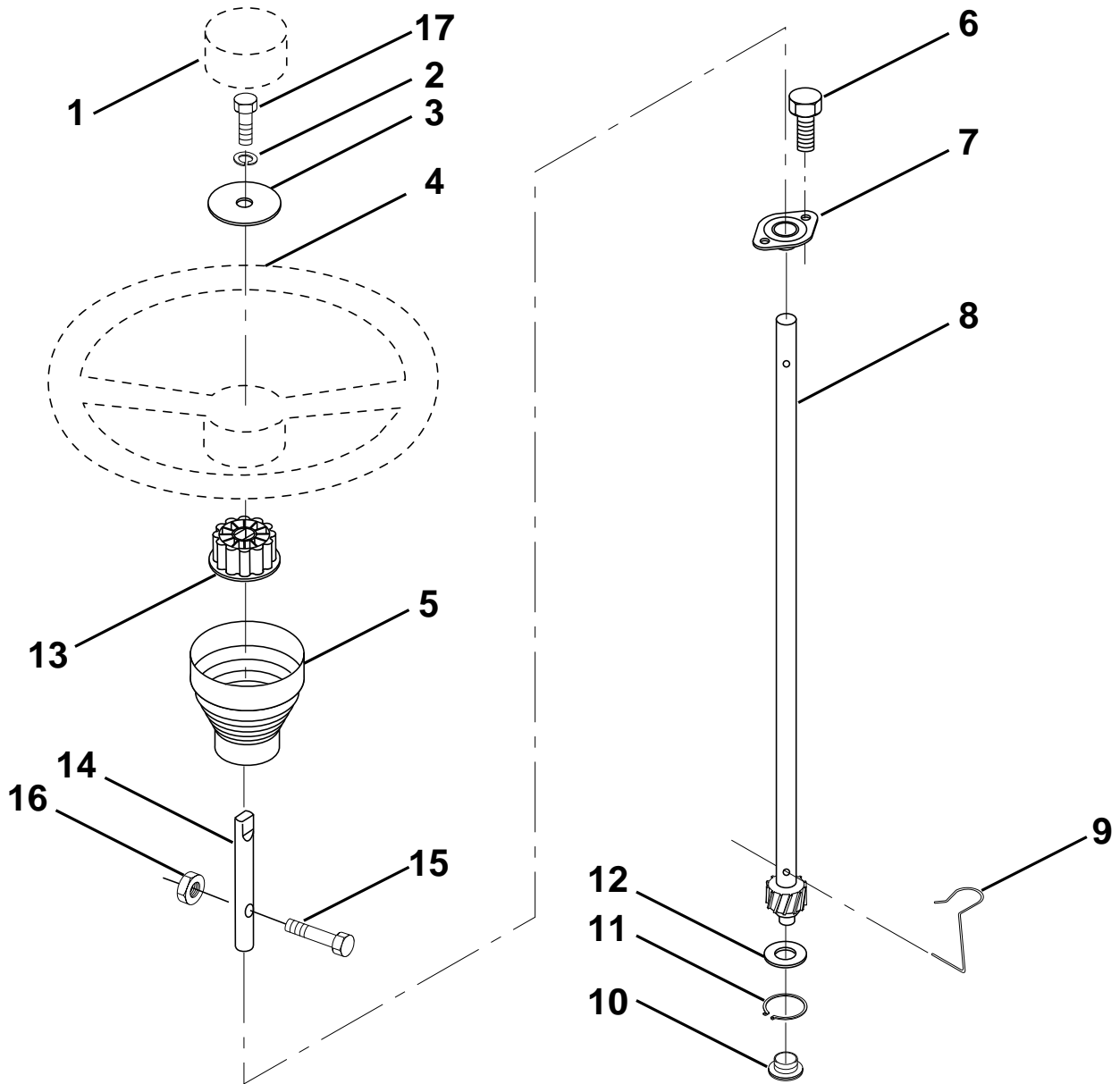


KEY NO.	PART NO.	DESCRIPTION	KEY NO.	PART NO.	DESCRIPTION
1	532141523	Cap, Fuel	12	532003720	Spring
2	532138392	Assembly, Dash & Fuel Tank	13	532126450	Clip, Height Adjustment
3	532123487	Clamp, Hose	14	532126115	Knob, Height Stop
4	532008544	Line, Fuel	15	532122023	Adjustment, Quadrant Height
5	532008548	Line, Fuel	16	532124346	Nut, Self-Threading 3/16-18
6	873640400	Nut, Hex, Keps 1/4-20	17	872110404	Bolt, Carriage 1/4-20 x 1/2 Gr. 5
7	532124996	Clip, Fuel Line	18	532130745	Support Assembly, Dash
8	819091216	Washer 9/32 x 3/4 x 16 Ga.	19	532134744	Brace, Cross
9	874760428	Bolt, Hex, Fin 1/4-20 x 1-3/4	20	817060408	Screw, Self-Tapping 1/4-20 x 1/2
10	819091413	Washer 11/32 x 11/16 x 16 Ga.	21	532134014	Plug Dome Black
11	532121249	Spacer, Split	25	817720410	Screw

HARDWARE SHOWN LARGER FOR EASIER IDENTIFICATION

# REPAIR PARTS

TRACTOR - MODEL NO. LR13B (J813C36D), PRODUCT NO. 954 13 00-23  
STEERING WHEEL

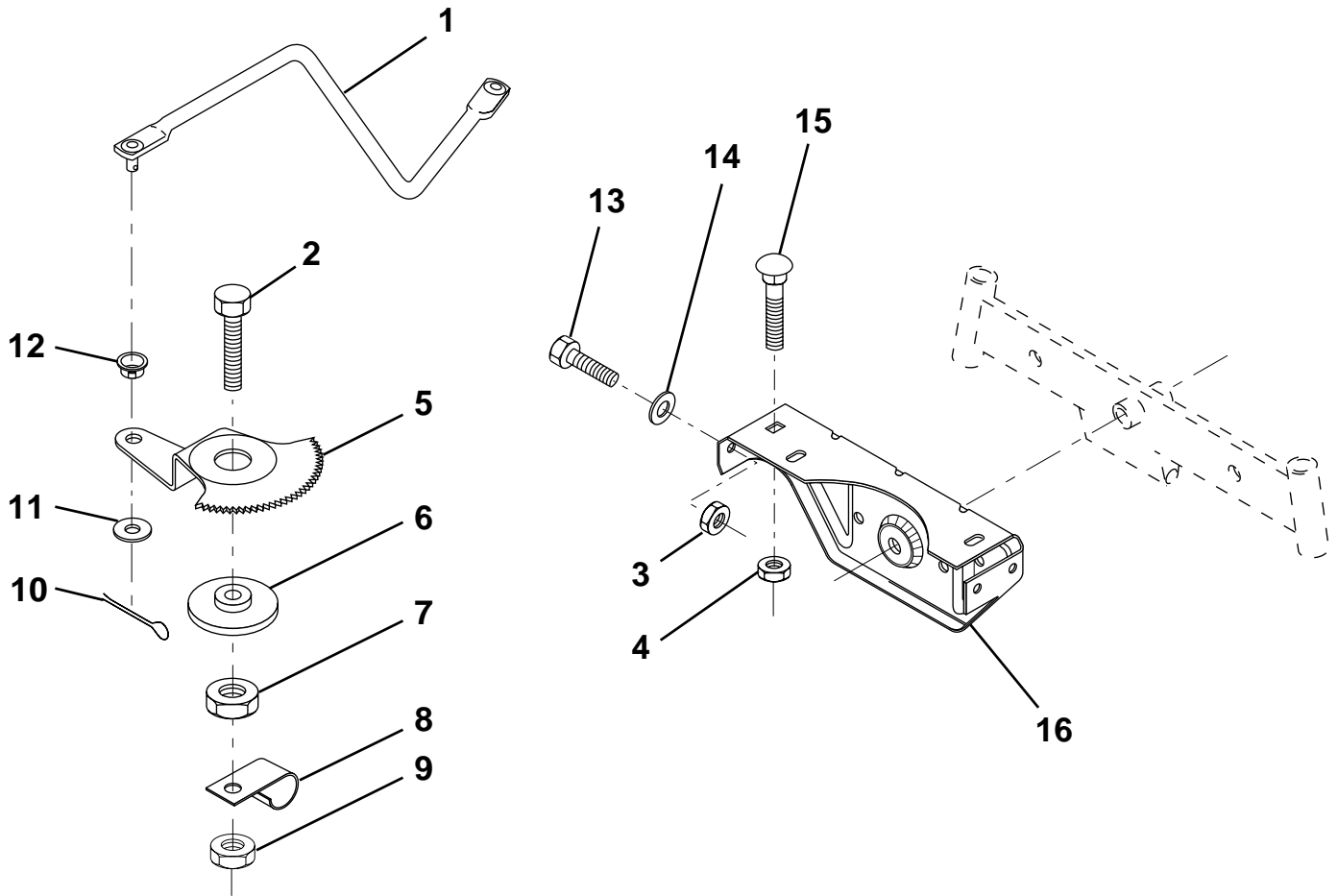


KEY NO.	PART NO.	DESCRIPTION	KEY NO.	PART NO.	DESCRIPTION
1	532140045	Insert, Wheel, Steering	10	532123438	Bushing, Lower, Steering
2	810040600	Washer Lock Hevy Hlcl	11	812000045	Ring, Retaining
3	819133812	Washer 13/32 x 2-3/8 x 12 Ga.	12	819211616	Washer 21/32 x 1 x 16 Ga.
4	532140044	Wheel, Steering	13	532100711	Adaptor, Wheel, Steering
5	532121897	Sleeve, Steering	14	532153720	Extension Shaft Steering
6	532152927	Screw	15	874780520	Bolt Fin Hex 5/16-18 UNC x 1-1/4
7	532155104	Bushing, Steering	16	873800500	Nut Lock Hex W/Ins 5/416-18 UNC
8	532147391	Shaft, Steering	17	874780616	Bolt Fin Hex 3/8-16unc x 1
9	532124210	Clip, Steering			

HARDWARE SHOWN LARGER FOR EASIER IDENTIFICATION

# REPAIR PARTS

TRACTOR - MODEL NO. LR13B (J813C36D), PRODUCT NO. 954 13 00-23  
SECTOR GEAR / AXLE SUPPORT

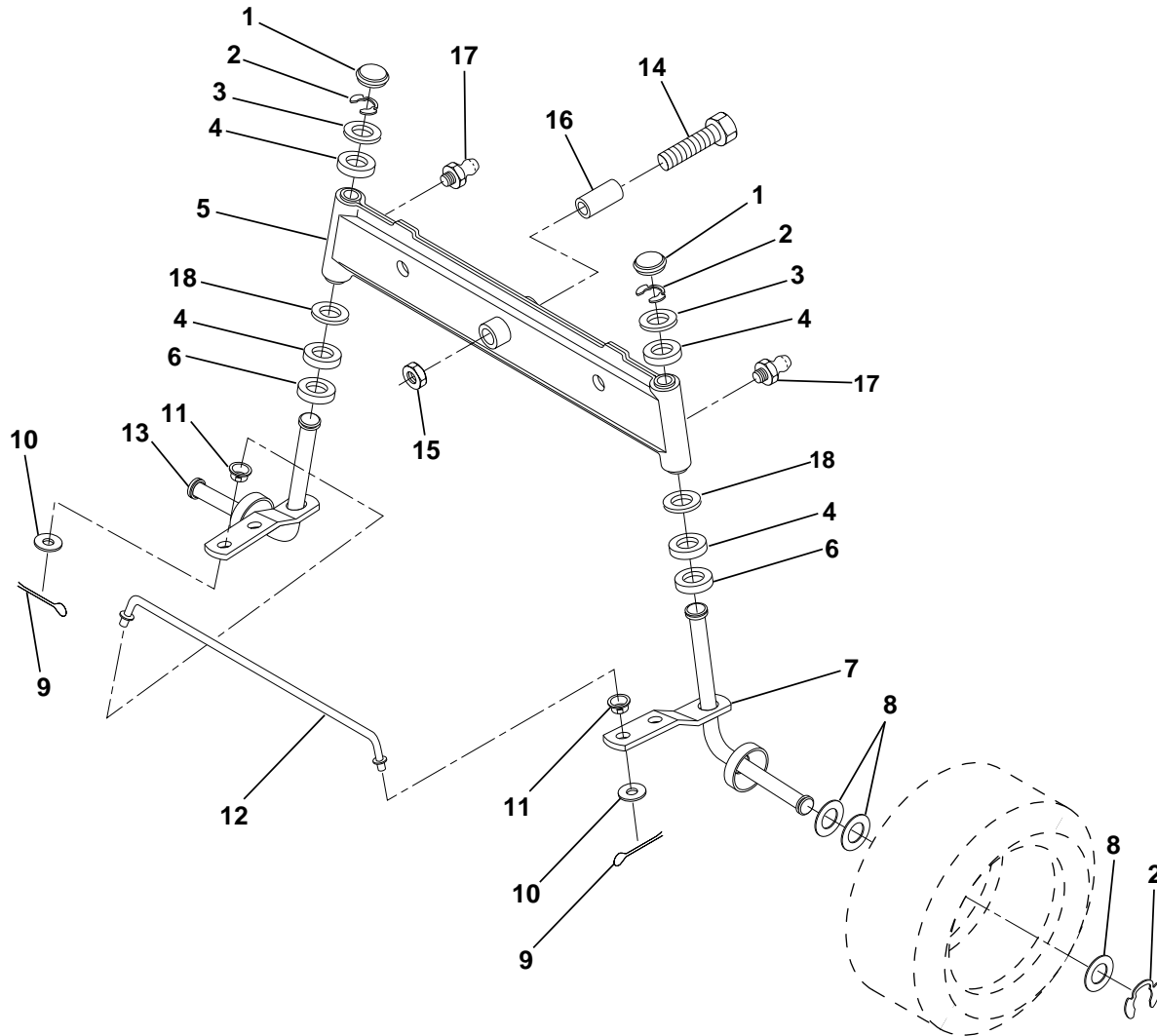


KEY NO.	PART NO.	DESCRIPTION	KEY NO.	PART NO.	DESCRIPTION
1	532132566	Link, Drag	9	873680800	Nut, Crownlock 3/8-16
2	874780828	Bolt, Fin Hex 1/2-13 x 1-3/4	10	876020412	Pin, Cotter 1/8 x 3/4
3	873680500	Nut, Crownlock 5/16-18	11	819131316	Washer, 13/32 x 13/16 x 16 Ga.
4	873680600	Nut, Crownlock 3/8-16	12	532126847	Bushing
5	532121926	Gear, Sector	13	874760512	Bolt, Hex Hd. 5/16-18 UNC x 3/4
6	532121927	Bushing	14	819111416	Washer 11/32 x 7/8 x 16 Ga.
7	873030800	Nut, Heavy Hex Top Lock 1/2-13 UNC	15	872110606	Bolt, Carriage 3/8-16 UNC x 3/4
8	532126472	Clip, Insulated	16	532137096	Support, Front Axle

HARDWARE SHOWN LARGER FOR EASIER IDENTIFICATION

# REPAIR PARTS

TRACTOR - MODEL NO. LR13B (J813C36D), PRODUCT NO. 954 13 00-23  
FRONT AXLE



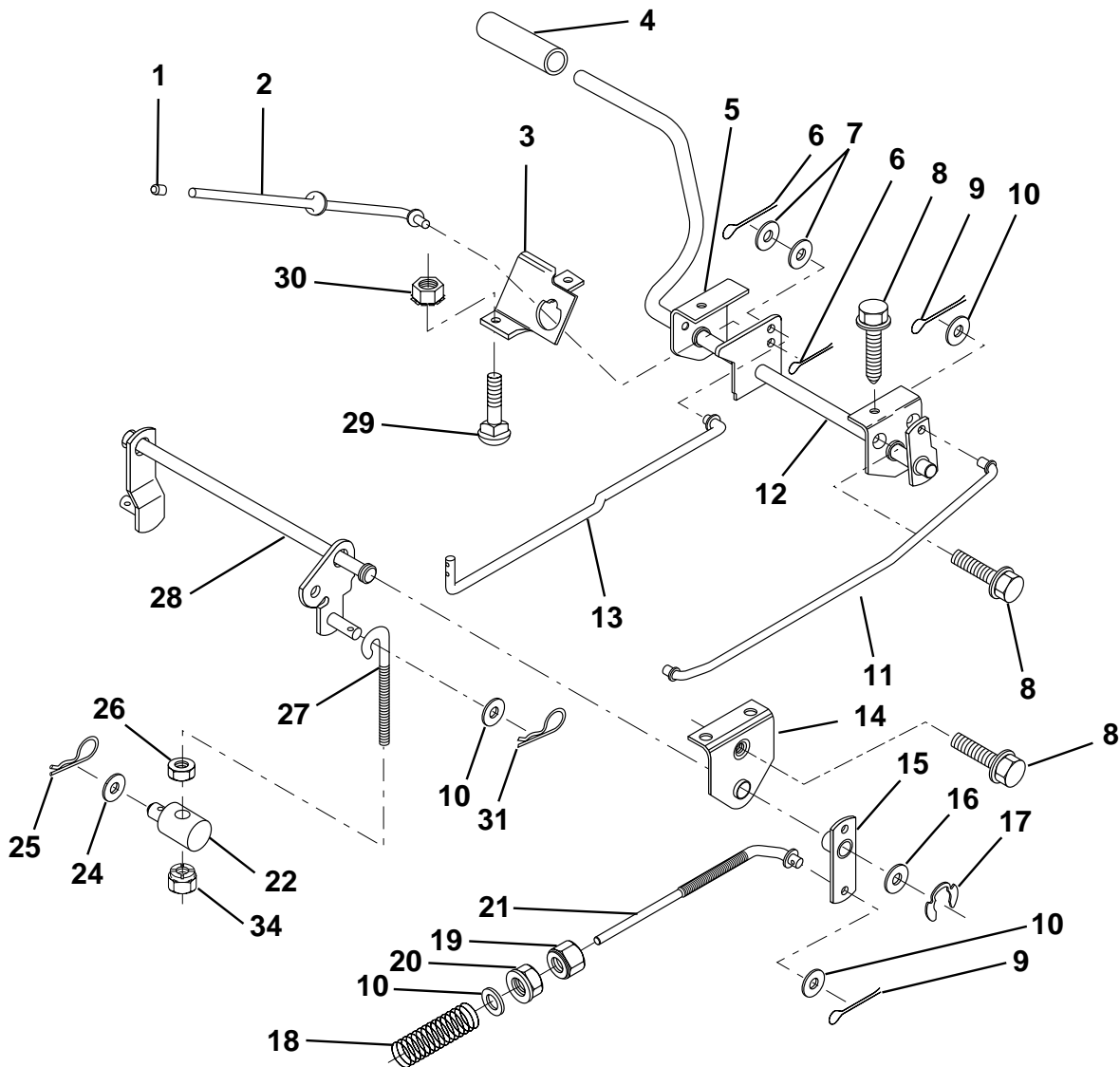
KEY NO.	PART NO.	DESCRIPTION	KEY NO.	PART NO.	DESCRIPTION
1	532121232	Cap, Spindle	10	819131316	Washer 13/32 x 13/16 x 16 Ga.
2	812000029	Ring, Clip	11	532126847	Bushing
3	532121748	Washer 25/32 x 1-5/8 x 16 Ga.	12	532130465	Rod, Tie
4	532124937	Nyliner	13	532161827	Spindle, L.H. Asm.
5	532142033	Axle, Front	14	874011056	Bolt Hex 5/1-11 x 3-1/2
6	532124931	Bearing, Thrust	15	873901000	Nut, Lock Flange 5/8-11
7	532161826	Spindle, R.H. Asm.	16	532110438	Spacer Bearing Axle
8	532121749	Washer 25/32 x 1-1/4 x 16 Ga.	17	532124836	Fitting Grease
9	876020412	Pin, Cotter 1/8 x 3/4	18	819272016	Washer 27/32 x 1-1/4 x 16 Ga.

HARDWARE SHOWN LARGER FOR EASIER IDENTIFICATION



# REPAIR PARTS

TRACTOR - MODEL NO. LR13B (J813C36D), PRODUCT NO. 954 13 00-23  
BRAKE / REAR MOWER LIFT ASSEMBLY

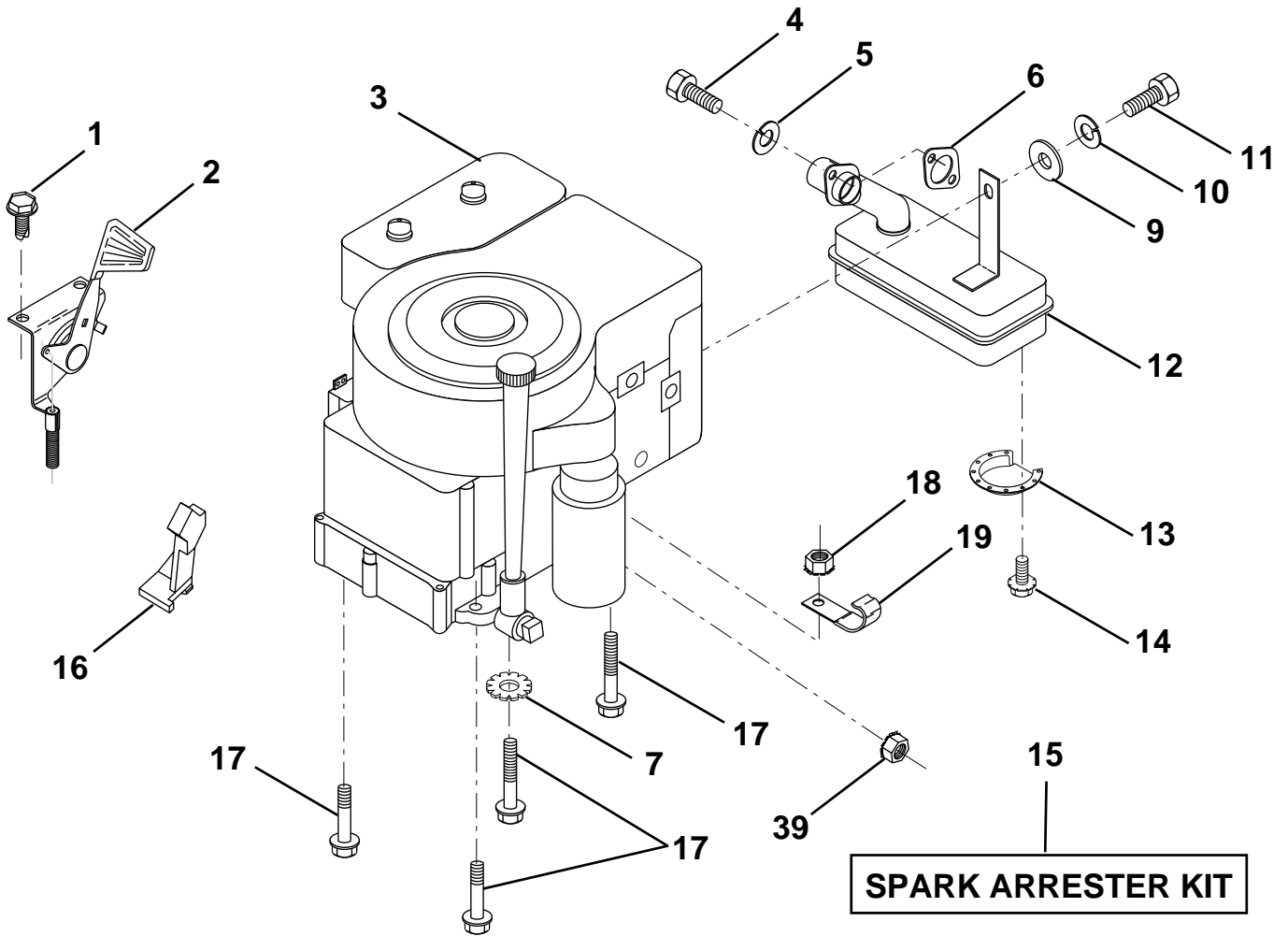


KEY NO.	PART NO.	DESCRIPTION	KEY NO.	PART NO.	DESCRIPTION
1	532071673	Cap, Plunger	16	819251816	Washer 25/32 x 1-1/8 x 16 Ga.
2	532123436	Rod, Parking Brake	17	812000034	Ring, Klip
3	532123437	Bracket, Parking Brake	18	532151332	Spring, Brake Rod
4	532124872	Cover, Pedal	19	873350600	Nut, Hex, Jam 3/8-16 UNC
5	532122504	Bracket, Clutch/Brake Pedal, L.H.	20	873800600	Nut, Lock, Hex W/Ins. 3/8-16 UNC
6	876020312	Pin, Cotter 3/32 x 3/4	21	532131460	Rod, Rear Brake
7	819131016	Washer 13/32 x 5/8 x 16 Ga.	22	532144585	Trunnion, Lift
8	817490508	Screw, Hex, Thd. Roll. 5/16-18 x 1/2	24	819132012	Washer 13/32 x 1-1/4 x 12 Ga.
9	876020412	Pin, Cotter 1/8 x 3/4	25	532124961	Spring, Retainer
10	819131316	Washer 13/32 x 13/16 x 16 Ga.	26	873930600	Nut, Centerlock 3/8-16 UNC
11	532123543	Rod, Brake Front	27	532127369	Link, Threaded
12	532139933	Assembly, Clutch/Brake Pedal	28	532140776	Assembly, Rear Mower Lift
13	532123394	Rod, Clutch	29	872110506	Bolt, Carriage 5/16-18 UNC x 3/4
14	532121978	Bracket, Lift, Shaft	30	873510500	Nut, Keps 5/16-18 UNC
15	532133332	Assembly, Brake, Pivot, Arm	31	532124660	Retainer, Spacer
			34	873680600	Nut, Crownlock 3/8-16 UNC

HARDWARE SHOWN LARGER FOR EASIER IDENTIFICATION

# REPAIR PARTS

TRACTOR - MODEL NO. LR13B (J813C36D), PRODUCT NO. 954 13 00-23  
ENGINE

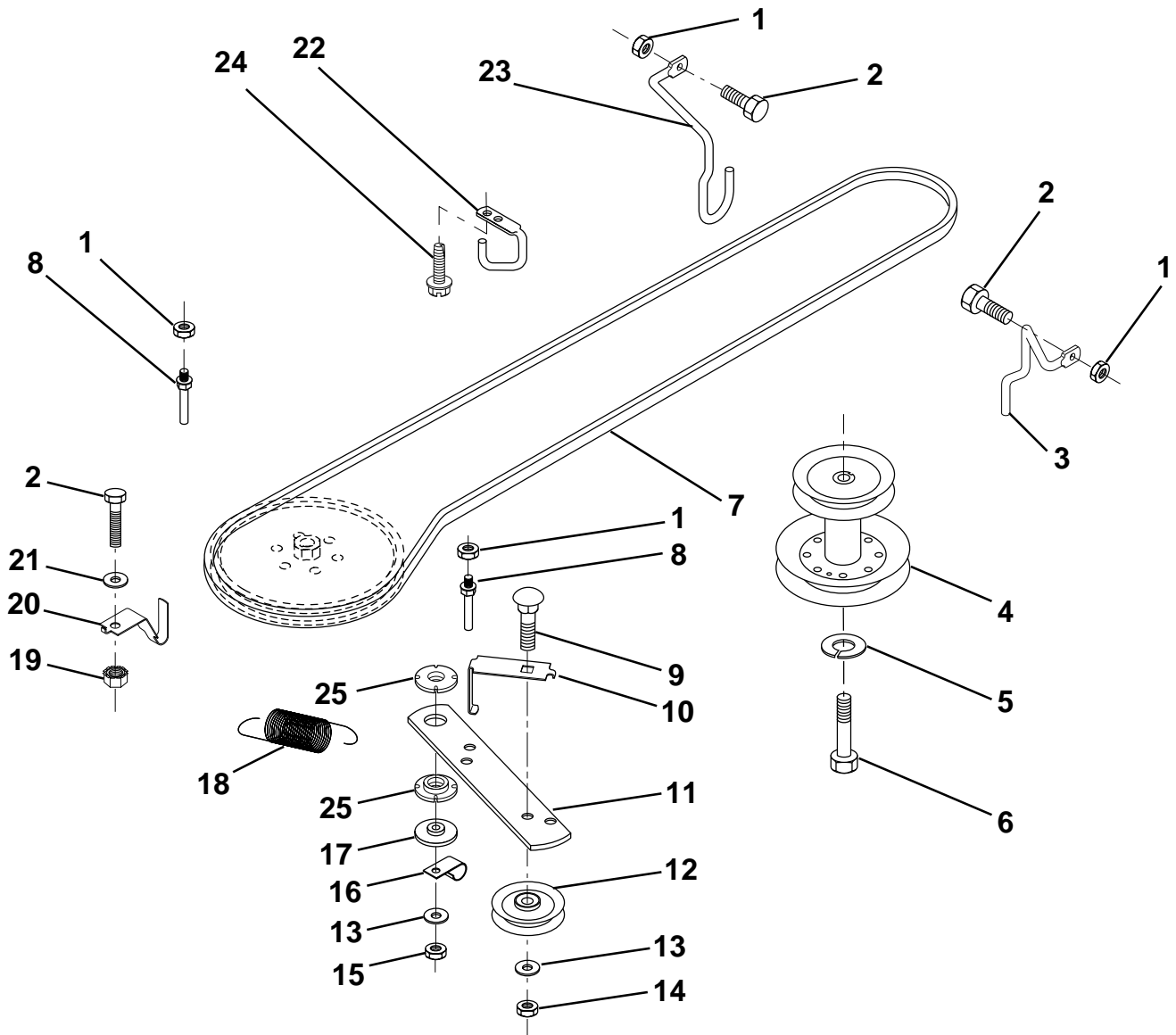


KEY NO.	PART NO.	DESCRIPTION	KEY NO.	PART NO.	DESCRIPTION
1	817720410	Screw, Hex Thd. Cut 1/4-20 x 5/8	11	-----	Bolt, Hex Fin.(Order From Eng. Mfg.)
2	532133025	Control, Throttle	12	532137437	Muffler
3	-----	Engine (See Breakdown) Briggs Model 289707	13	532101326	Deflector, Muffler
4	871070512	Screw, Hex, Cap 5/16-18 x 3/4	14	817030808	Screw, Spiderloc
5	810040500	Washer, Lock Heavy Helical Spring 5/16	15	532137180	Arrester, Spark (Optional equipment)
6	532165291	Gasket, Exhaust	16	532127951	Stop, Throttle
7	811050600	Washer Lock Ext. Tooth 3/8	17	817490624	Screw, Hex Washer Head, Thdrol. 3/8-16 x 1-1/2
9	819101216	Washer 5/16 x 3/4 x 16	18	873510600	Nut, Keps Hex 3/8-16
10	810040400	Washer, Lock Hvy Hlcl Spring 1/4	19	532124996	Clip, Line Fuel
			39	<b>873510400</b>	<b>Nut Keps Hex 1/4-20 Unc</b>

HARDWARE SHOWN LARGER FOR EASIER IDENTIFICATION

# REPAIR PARTS

TRACTOR - MODEL NO. LR13B (J813C36D), PRODUCT NO. 954 13 00-23  
GROUND DRIVE

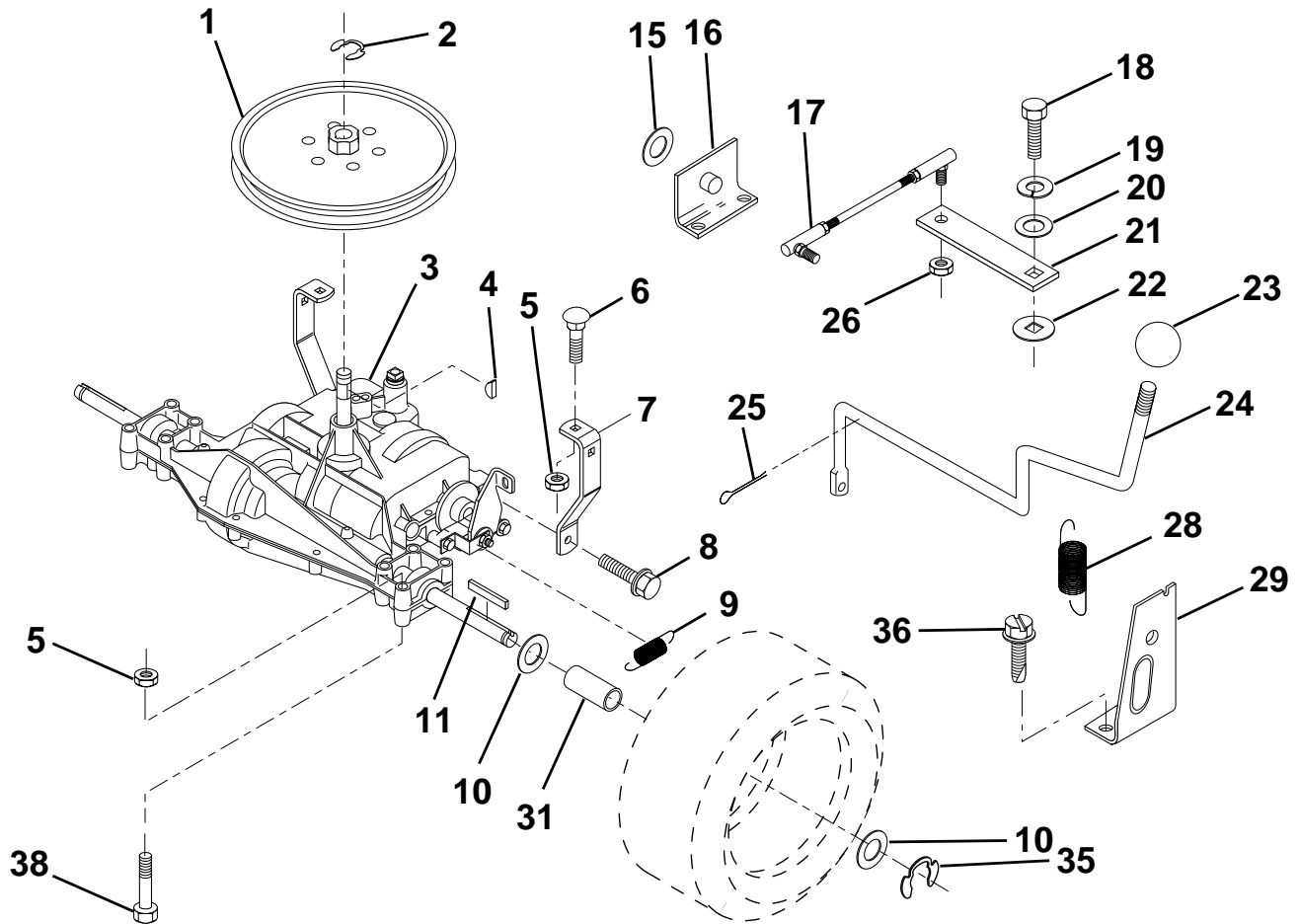


KEY NO.	PART NO.	DESCRIPTION	KEY NO.	PART NO.	DESCRIPTION
1	873680500	Nut, Crownlock 5/16-18	14	873930600	Nut, Centerlock 3/8-16 UNC
2	874760512	Bolt, Hex Hd 5/16-18 UNC x 3/4	15	873680600	Nut, Crownlock 3/8-16
3	532141342	Keeper, Mower Drive, R.H.	16	532126471	Clip, Insulated
4	532138029	Pulley, Engine	17	532150932	Spacer, Retainer
5	810040700	Washer, Lock 7/16	18	532131459	Spring Extension
6	871170744	Bolt Hex 7/16-20 Gr. 5	19	873510500	Nut, Keps 5/16-18 UNC
7	531013129	Traction, V-Belt Drive	20	532139919	Keeper, T/A Ground Drive Belt
8	532123405	Keeper, T/A Ground Drive Belt	21	819111016	Washer 11/32 x 5/8 x 16 Ga.
9	872140612	Bolt, Carr. 3/8-16 UNC x 1-1/2	22	532123404	Keeper, Frame Ground Drive Belt
10	532123396	Keeper, Belt Ground Drive Idler	23	532140916	Keeper, Mower Drive, L.H.
11	532150926	Arm, Ground Drive Clutch	24	817720408	Screw, Thd. Cut 1/4-20 x 1/2
12	532123674	Idler, Flat	25	532150935	Bushing, Nylon
13	819131316	Washer 13/32 x 13/16 x 16 Ga.			

HARDWARE SHOWN LARGER FOR EASIER IDENTIFICATION

# REPAIR PARTS

TRACTOR - MODEL NO. LR13B (J813C36D), PRODUCT NO. 954 13 00-23  
TRANSAXLE

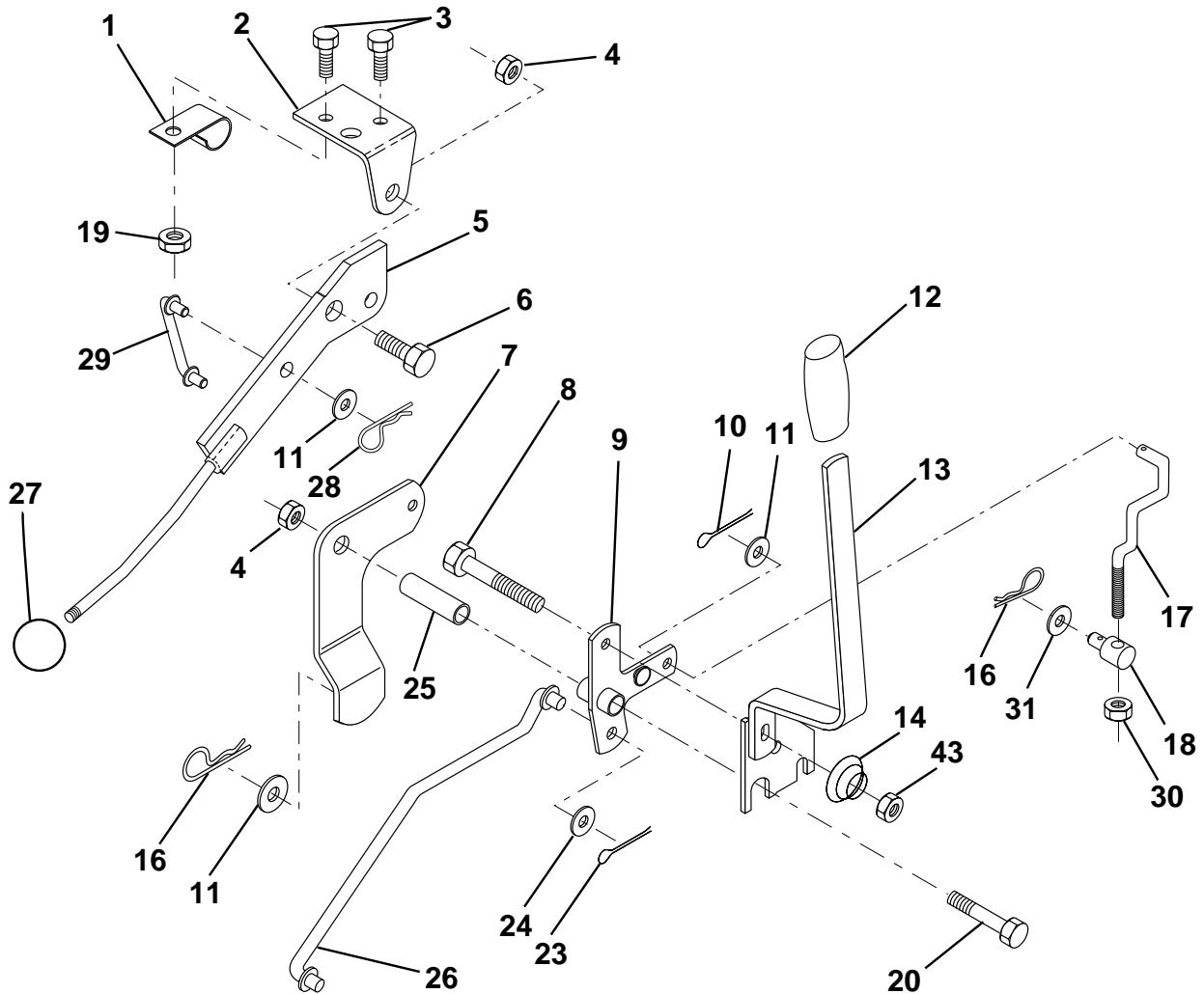


KEY NO.	PART NO.	DESCRIPTION	KEY NO.	PART NO.	DESCRIPTION
1	532123385	Pulley	18	874550412	Bolt 1/4-28 UNF Gr. 8 W/Patch
2	812000028	Ring, Retainer	19	810040400	Washer, Lock 1/4
3	-----	Transaxle Peerless 206-545C (Order parts from transaxle manuf.)	20	819091210	Washer 9/32 x 3/4 x 10 Ga.
4	532125096	Key, Woodruff #9	21	532126292	Arm, Shift
5	873680500	Nut, Crownlock 5/16-18	22	532105701	Washer, Shift Plate
6	872140506	Bolt, Carriage 5/16-18 UNC x 3/4	23	532121274	Knob, Duckhead
7	532123378	Strap, Torque	24	532128215	Rod Shift
8	817060512	Screw 5/16-18 x 3/4 SMGML Tap/R	25	876020416	Pin, Cotter 1/8 x 1
9	532146682	Spring, Brake	26	873810500	Locknut 5/16-24 UNF
10	532121749	Washer 25/32 x 1-1/4 x 16 Ga.	28	532128085	Extension, Spring
11	532123583	Key, Square	29	532128084	Support Handle Shift RH
15	819171616	Washer 17/32 x 1 x 16 Ga.	31	532137057	Spacer Axle
16	532124600	Support Handle Shift LH	35	812000001	E-Ring
17	532126293	Link, Shift	36	817720408	Screw, Thdrol 5/16-18 x 1/2
			38	874490540	Bolt, Hex Hd 5/16-18 x 2-3/4

HARDWARE SHOWN LARGER FOR EASIER IDENTIFICATION

# REPAIR PARTS

TRACTOR - MODEL NO. LR13B (J813C36D), PRODUCT NO. 954 13 00-23  
MOWER LIFT LEVER

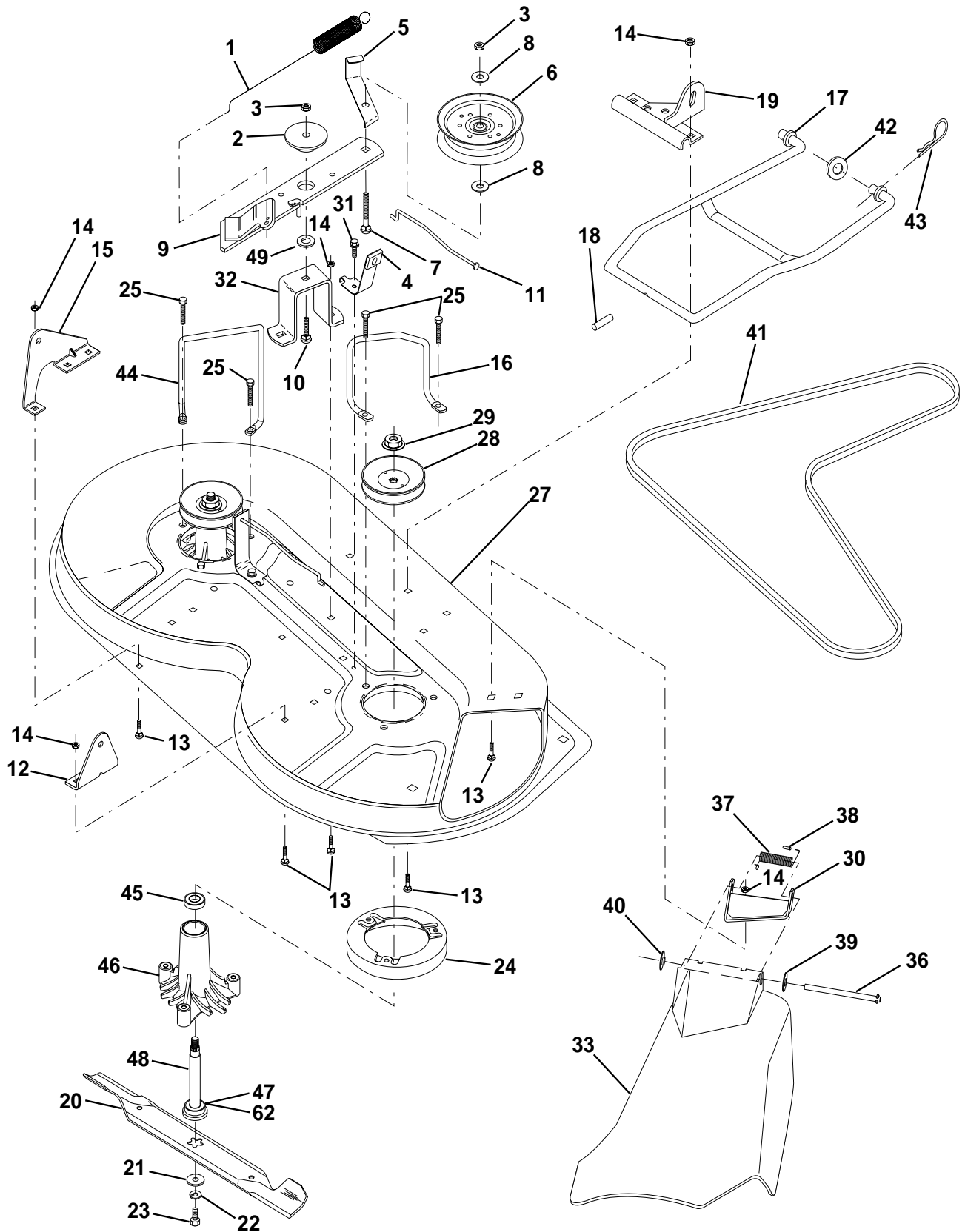


KEY NO.	PART NO.	DESCRIPTION	KEY NO.	PART NO.	DESCRIPTION
1	532126470	Clip, Insulated	17	532127359	Link, Front Lift
2	532122018	Bracket, Mower Clutch	18	532142028	Trunnion, Threaded 3/8-16
3	871110408	Bolt, Fin. Hex 1/4-20 UNC x 1/2	19	873680400	Nut, Crownlock 1/4-20
4	873680600	Nut, Crownlock 3/8-16	20	874760644	Bolt, Fin. Hex 3/8-16 UNC x 2-3/4
5	532145187	Assembly, Clutch Lever	23	876020416	Pin, Cotter 1/8 x 1
6	532106451	Bolt, Shoulder	24	819171612	Washer 17/32 x 1 x 12 Ga.
7	532135371	Assembly, Mower Clutch Arm	25	532121933	Tube, Spacer
8	874760636	Bolt, Hex 3/8-16 UNC x 2-1/4	26	532141470	Rod, Mower Lift
9	532121930	Assembly, Bellcrank Lift	27	532121466	Knob
10	876020412	Pin, Cotter 1/8 x 3/4	28	532124788	Retainer, Spring
11	819131316	Washer 13/32 x 13/16 x 16 Ga.	29	532131655	Link, Mower Clutch
12	532122027	Grip, Handle	30	873350600	Nut Hex Jam 3/8-16 x 1.30
13	532139352	Assembly, Lift Handle	31	819132012	Washer 13/32 x 1-1/4 x 12 Ga.
14	532123496	Spring, Compression	43	873900600	Nut, Lock Flg. 3/8-16 Unc
16	532124961	Retainer, Spring			

HARDWARE SHOWN LARGER FOR EASIER IDENTIFICATION

# REPAIR PARTS

TRACTOR - MODEL NO. LR13B (J813C36D), PRODUCT NO. 954 13 00-23  
MOWER DECK



# REPAIR PARTS

TRACTOR - MODEL NO. LR13B (J813C36D), PRODUCT NO. 954 13 00-23  
MOWER DECK

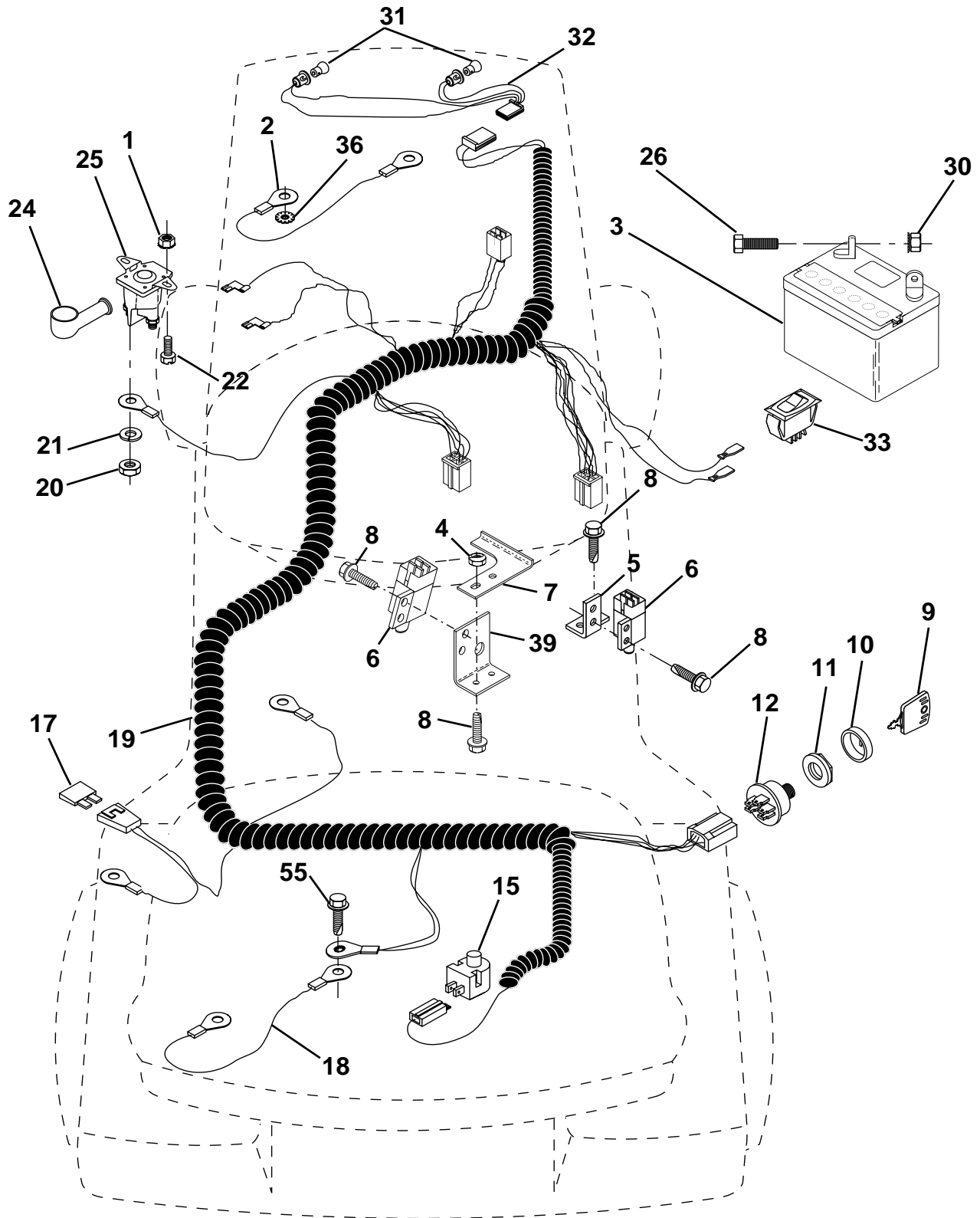
KEY NO.	PART NO.	DESCRIPTION
1	532140064	Spring, Mower Clutch
2	532165723	Spacer, Retainer
3	873680600	Nut, Crownlock 3/8-16
4	532130840	Brake Asm.
5	532131251	Guide, Belt Idler
6	532121316	Pulley, Flat Idler
7	872110616	Bolt, Carr. 3/8-16 x 1-3/4 Gr. 5
8	819131410	Washer 13/21 x 7/8 x 10 Ga.
9	532127744	Arm Asm., Idler Mower
10	872140610	Bolt, Carriage 3/8-16 x 1-1/4
11	532130841	Rod, Brake
12	532127356	Bracket, Lift R. H. Rear
13	872140506	Bolt, Carriage 5/16-18 x 3/4
14	873680500	Nut, Crownlock 5/16-18
15	532127357	Bracket, Lift L. H. Rear
16	532153298	Keeper, R. H.
17	532128508	Link, Asm. Mower Stabilizer
18	532128511	Pin, Drive
19	532127380	Bracket, Asm. Front
20	531013126	Blade, High Lift
21	532140296	Washer, Hard
22	810030600	Washer, Lock 3/8
23	532850857	Bolt 3/8-24 x 1-1/4 Gr. 8
24	532140329	Stripper
25	532157722	Screw Thdrol Wsh Hd
27	532156600	Deck Assembly
28	532153531	Pulley, Mandrel
29	532137266	Nut, Flangelock 9/16
30	532136631	Bracket, Asm. Deflector
31	817490508	Screw, Hex Wsh. Thdrol. 5/16-18 x 1/2
32	532122051	Arm, Support Idler Mower
33	532171156	Deflector
36	532121980	Rod, Hinge
37	532123713	Spring, Torsion Deflector
38	532105304	Cap, Sleeve
39	819111016	Washer 11/32 x 5/8 x 16 Ga.
40	532110452	Pushnut
41	531013133	V-Belt
42	819171616	Washer 11/32 x 5/8 16 Ga.
43	532124660	Retainer, Spring
44	532140608	Keeper, L. H.
45	532110485	Bearing
46	532128774	Housing Mandrel Vented
47	532129895	Bearing
48	532137645	Shaft, Mandrel (Includes Key # 47)
49	532133943	Washer Hardened
62	532153390	Washer, Felt
--	532130794	Mandrel Asm. (Includes Key No.'s 22-23, 26, 29 and 45-48)
--	532156866	Deck, Mower Complete

HARDWARE SHOWN LARGER FOR EASIER IDENTIFICATION



# REPAIR PARTS

TRACTOR - MODEL NO. LR13B (J813C36D), PRODUCT NO. 954 13 00-23  
ELECTRICAL





# REPAIR PARTS

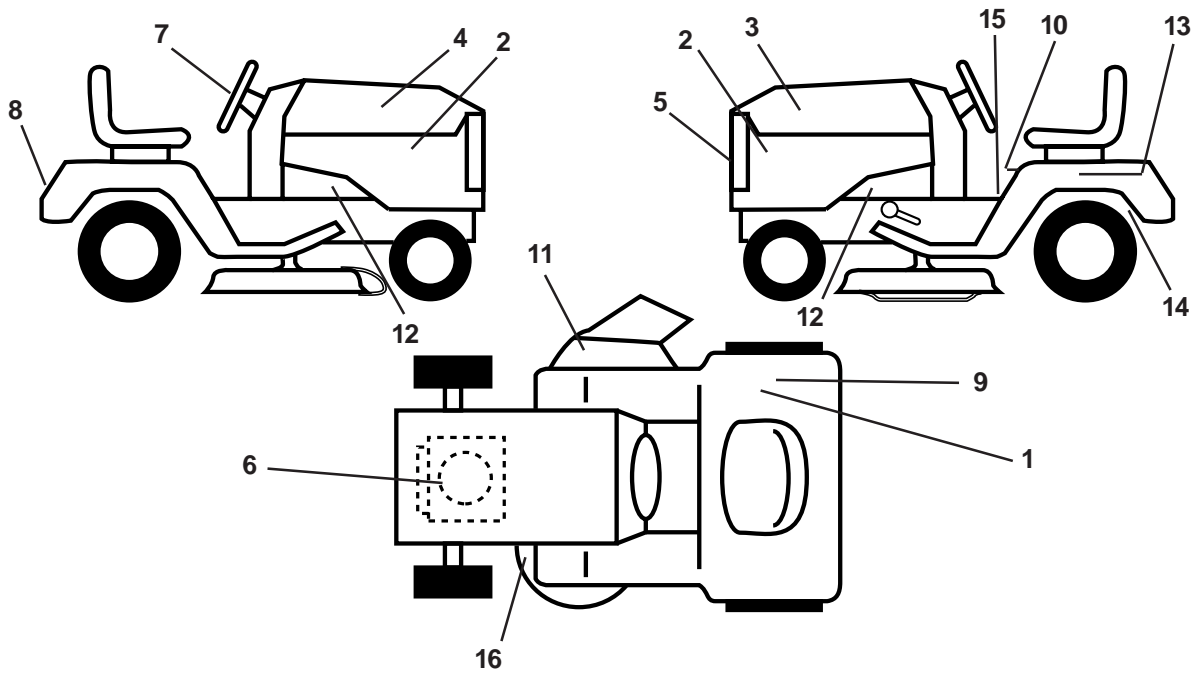
TRACTOR - MODEL NO. LR13B (J813C36D), PRODUCT NO. 954 13 00-23  
ELECTRICAL

KEY NO.	PART NO.	DESCRIPTION
1	873640400	Nut, Hex Keps 1/4-20
2	532108423	Assembly, Cable
3	532144924	Battery
4	532069180	Nut, Lock#10-24 UNC
5	532108236	Bracket, Switch
6	532109553	Switch, Interlock (4-terminal)
7	532146374	Keeper Actuator
8	817021008	Screw, Hex Hd. Self-Tapping #10-24 x 1/2
9	532140401	Key, Molded
10	532141226	Cover, Key Ignition
11	532140400	Nut, Ignition
12	532163088	Switch, Ignition
15	532121305	Switch, Plunger
17	532108824	Fuse
18	532128353	Assembly, Cable
19	532170207	Harness, Ignition
20	873350400	Nut, Hex Jam 1/4-20
21	810090400	Washer, Lock 1/4
22	871110408	Bolt, Fin. Hex 1/4-20 UNC x 1/2
24	532131563	Cover, Terminal
25	532145673	Solenoid
26	874760412	Bolt, Hex Hd. 1/4-20 UNC x 3/4
30	873510400	Nut Keps Hex 1/4-20 UNC
31	532004152	Bulb, Light
32	532166181	Harness, Headlight
33	532110712	Switch, Light
36	811150400	Washer Lock Inter. Tooth 1/4
39	532141735	Bracket Switch Clutch
55	817490508	Screw Thdrol 5/16 - 18 x 1/2

**HARDWARE SHOWN LARGER FOR EASIER IDENTIFICATION**

# REPAIR PARTS

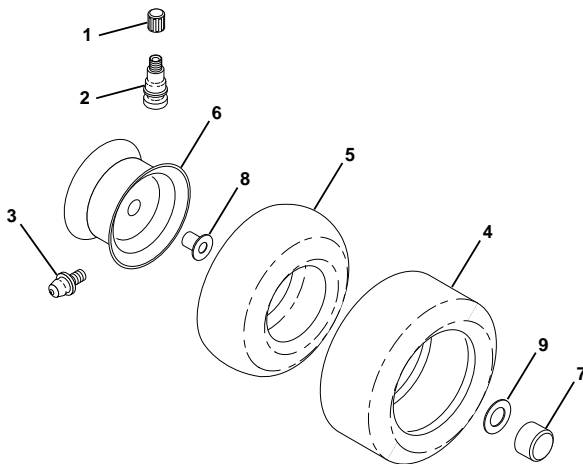
TRACTOR - MODEL NO. LR13B (J813C36D), PRODUCT NO. 954 13 00-23  
DECALS



KEY NO.	PART NO.	DESCRIPTION
1	532145437	Decal, Europe, Stand. CE Tractor
2	532162927	Decal, Hood Insert
3	532170614	Decal, Hood, L. H.
4	532170613	Decal, Hood, R. H.
5	532141116	Decal, Logo, Grill
6	532170839	Decal, Engine
7	532152252	Decal, Ins. Steering
8	532141761	Decal, Logo, Fender
9	532126187	Decal, Certification, (French/Dutch)
10	532145498	Decal, Read Owner's Manual
11	532145494	Decal, Cutfinger

KEY NO.	PART NO.	DESCRIPTION
12	532159736	Decal, Chassis Hof Muffler
13	532145005	Decal, Dan/Poi Bat
14	532162598	Decal, Drawbar Load Limit
15	532159739	Decal, Brake/Clutch Sym
16	532136830	Decal, V-Belt Sch.
--	532138311	Decal, Height Adj.
--	<b>532172228</b>	Manual, Oper. (Euro)
--	<b>532172229</b>	Manual, Oper. (Scan)
Accessories (Not included with tractor)		
--	C36	Bagger
--	MK360	Mulch Kit

## WHEELS & TIRES



KEY NO.	PART NO.	DESCRIPTION
1	532059192	Cap, Valve
2	532065139	Stem, Valve
3	532124957	Fitting, Grease\ (Front Wheels Only)
4	532137422	Tire, Front
4	532132703	Tire, Rear
5	532059904	Tube, Front (Optional Service Items Only)
5	532008134	Tube, Rear (Optional Service Items Only)
6	532142039	Rim, Front
6	532141652	Rim, Rear
7	532104757	Cap Axle
8	532124959	Bearing Flange
9	532121748	Washer 25/32 x 1-5/8 x 16 Ga.
--	532144334	Sealant, Tire (10 oz. Tube)